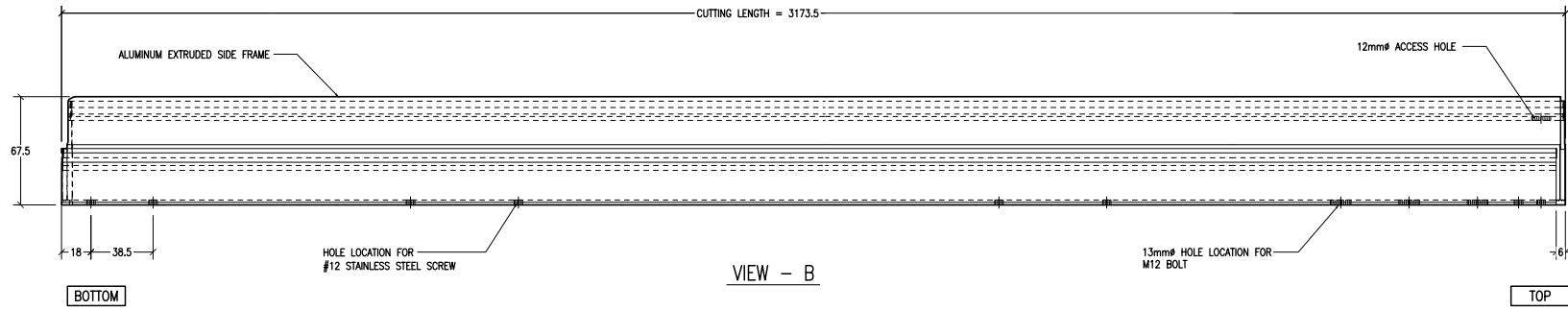
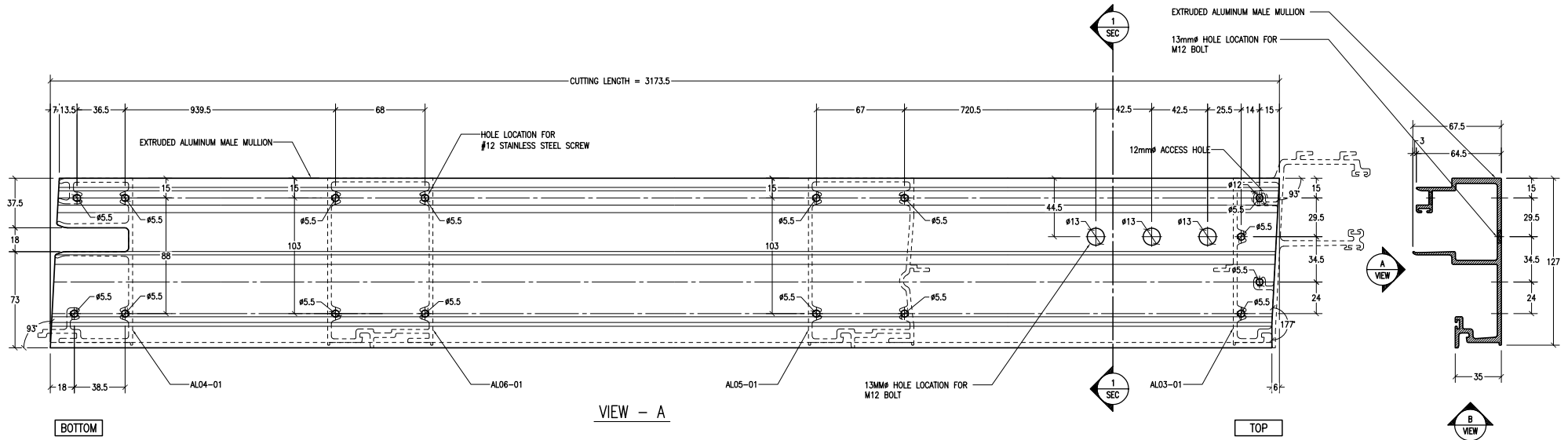


REV.	PART NO.	DESCRIPTION	CUTTING LENGTH	CUTTING WIDTH	QUANTITY /UNITS	PART DRAWING	REMARKS
0	AL01-01	EXTRUDED ALUMINUM MALE MULLION	3173.5	-	1	ZC531	-



<p>GLAZING CONTRACTOR ADDRESS, STREET, CITY, COUNTRY, ZIP, ETC</p>	<p>3RD ANGLE PROJECTION</p>	<p>PROJECT TITLE:</p> <p>SAMPLE PROJECT</p>	<p>POST PAINT</p> <p>PRE PAINT</p> <p>PART</p> <p>SUB-ASSEMBLY</p>	<p>MATERIAL:</p> <p>6063-T5</p> <p>DRAWING TITLE:</p> <p>EXTRUDED ALUMINUM MALE MULLION</p>	<p>SCALE:</p> <p>NOT TO SCALE</p> <p>DATE:</p> <p>DD MMM YYYY</p>											
	<table border="1"> <tr> <th>DD</th> <th>MM</th> <th>YYYY</th> <th>1ST SUBMISSION</th> <th>EDG</th> </tr> <tr> <td> </td> <td> </td> <td> </td> <td> </td> <td> </td> </tr> </table>	DD	MM	YYYY	1ST SUBMISSION	EDG						<p>PROJECT NO.:</p> <p>XXXX</p>	<p>DIE/REF. NO.:</p> <p>XX-XXXX</p>	<p>DRAWING NO.:</p> <p>AL01</p>	<p>DRAWN BY:</p> <p>PTCC-EDG</p> <p>CHECKED BY:</p> <p>PTCC-MT</p>	<p>APPROVED BY:</p>
	DD	MM	YYYY	1ST SUBMISSION	EDG											
<table border="1"> <tr> <th>REV</th> <th>DATE</th> <th>DESCRIPTION</th> <th>BY</th> </tr> <tr> <td> </td> <td> </td> <td> </td> <td> </td> </tr> </table>	REV	DATE	DESCRIPTION	BY					<p>Standard ±1</p> <p>Angle ±1°</p> <p>Tolerance ±0.5</p> <p>Squareness ±1</p>	<p>FINISH:</p> <p>RAL 9007</p>	<p>SHEET</p> <p>1</p>	<p>REV.</p> <p>0</p>				
REV	DATE	DESCRIPTION	BY													