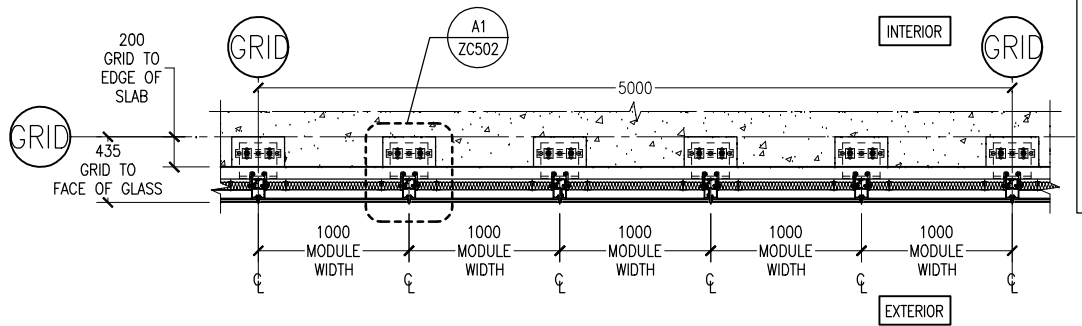
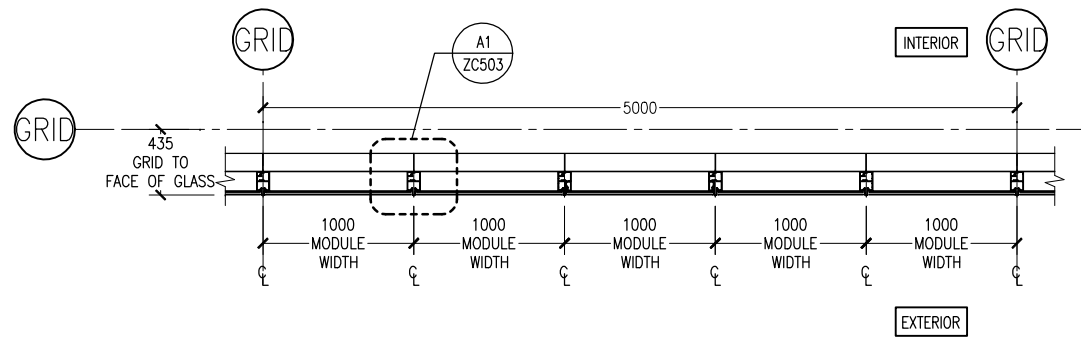


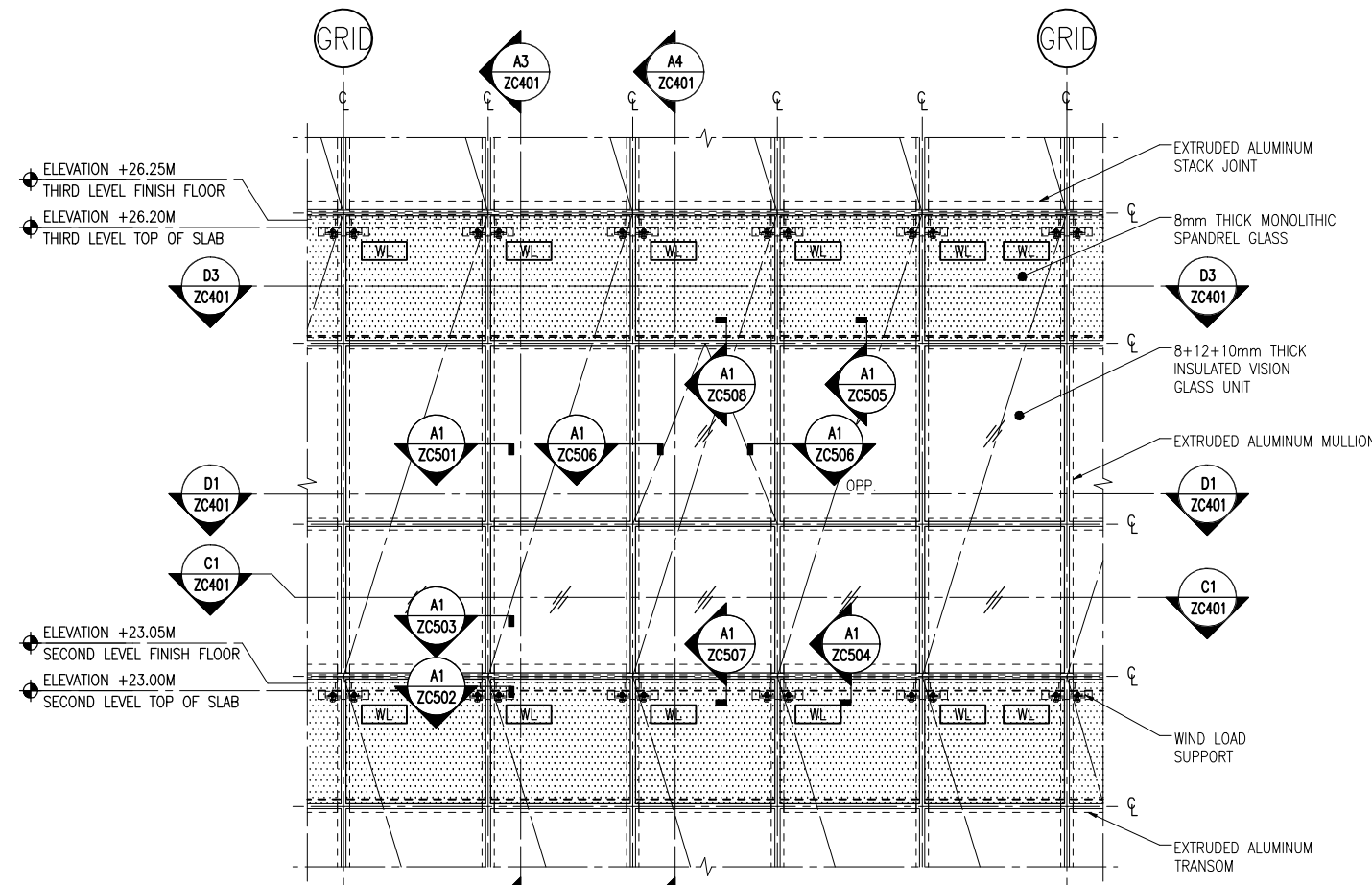
D1 PARTIAL PLAN
ARCHITECTURAL REFERENCE 2/A-101



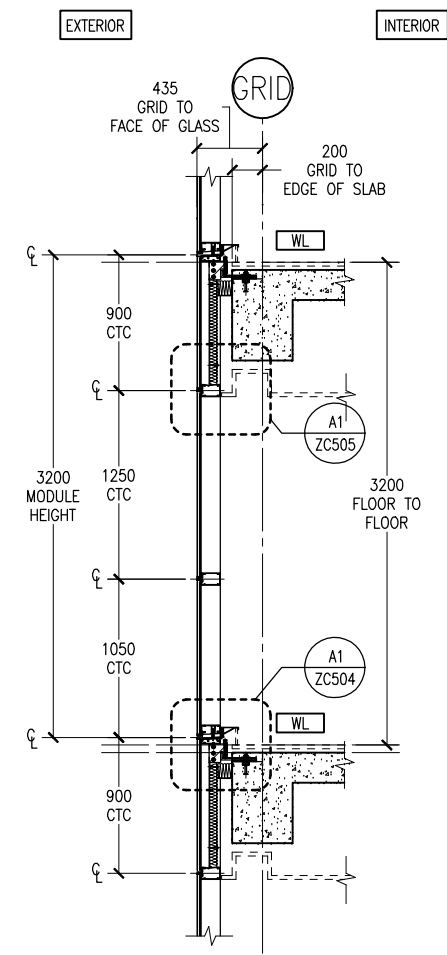
D3 PARTIAL PLAN AT BRACKET LEVEL
ARCHITECTURAL REFERENCE 2/A-101



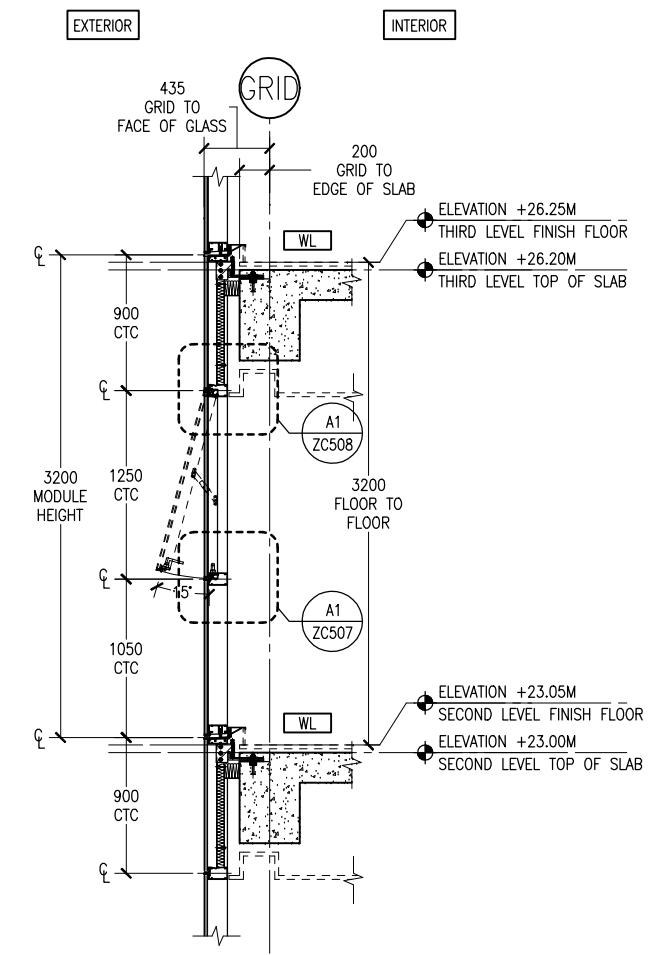
C1 PARTIAL PLAN
ARCHITECTURAL REFERENCE 2/A-101



A1 PARTIAL ELEVATION
ARCHITECTURAL REFERENCE 2/A-201



A3 SECTION
ARCHITECTURAL REFERENCE 2/A-301



A4 SECTION
ARCHITECTURAL REFERENCE 2/A-301

LEGEND:

	VISION GLASS
	SPANDREL GLASS
	WINDLOAD BRACKET
	WINDLOAD/DEADLOAD BRACKET

OWNER/DEVELOPER
OWNER'S CORPORATION
ADDRESS, STREET, CITY, COUNTRY, ZIP, ETC

ARCHITECT
DESIGN ARCHITECT
ADDRESS, STREET, CITY, COUNTRY, ZIP, ETC

GENERAL CONTRACTOR
GENERAL CONTRACTOR
ADDRESS, STREET, CITY, COUNTRY, ZIP, ETC

CURTAINWALL CONTRACTOR
CURTAINWALL CONTRACTOR
ADDRESS, STREET, CITY, COUNTRY, ZIP, ETC

CURTAIN WALL CONTRACTOR'S DESIGN CONSULTANT
PROFESSOR TORSTEN CALVI CORP.
11th FLOOR TELECOMS PLAZA BUILDING
316 SEN. GEL. PUYAT AVENUE, SALCEDO VILLAGE,
MAKATI CITY, PHILIPPINES
TEL: (+63 2) 752-1854 • 887-6051
FAX: (+63 2) 752-1855 • 888-6512
Email: mailroom@torstencalvi.com

PROJECT TITLE
PROJECT NAME
PROJECT NAME
PROJECT NAME
PROJECT DETAILS
PROJECT DETAILS
PROJECT DETAILS

△			
△			
△			
△			
△	FIRST SUBMISSION	DD MM YYYY	DDMM
REV	DESCRIPTION	DATE	BY

ISSUE
DATE: DD MMM YYYY

DRAWN BY: PTCC-RDM CHECKED BY: PTCC-MT

SCALE: 1:25 @ A1; 1:50 @ A3

SHEET TITLE
**PARTIAL ELEVATION,
PLAN, AND SECTION**

SHEET NO.
ZC401

PRINT RUN: RD-PT RDM DOMMITY